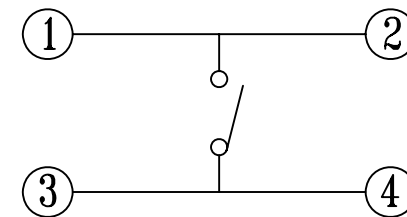
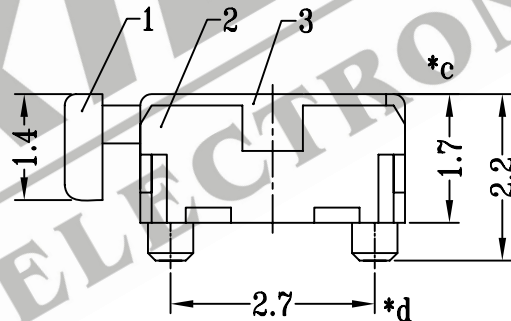
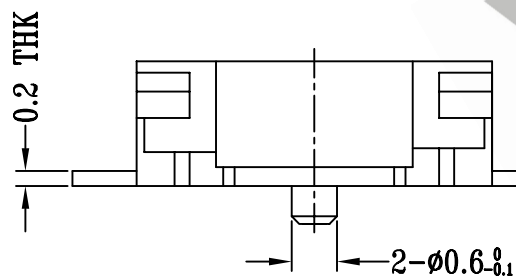
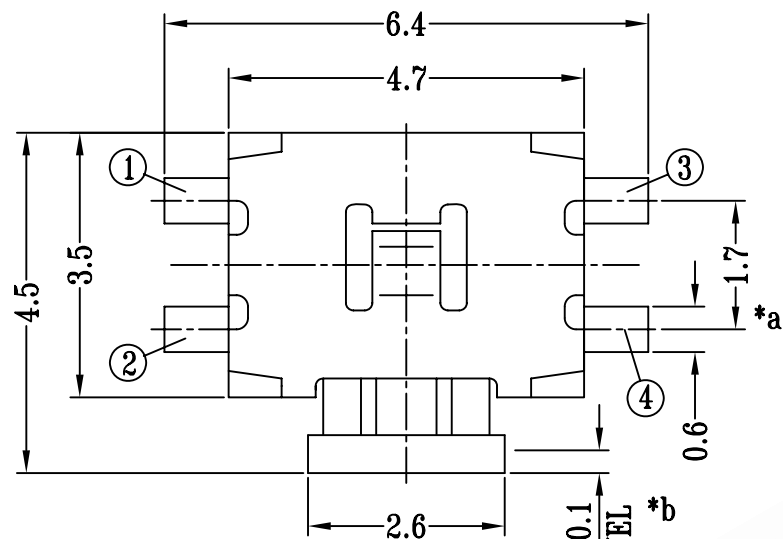
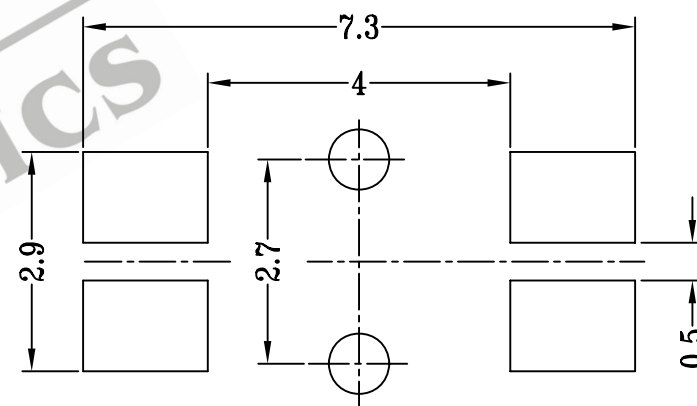


CAD FILE:



SCHEMATIC



P.C.B LAYOUT

注：“*”表示关键尺寸（4个）

8					TOLERANCE	SHENZHEN XIEJIA ELECTRONICS CO.,LTD.					
7					UNLESS SPECIFIED						
6					WITHIN: 1.5±0.1mm	ISSUE	DATE	DESCRIPTIONS		APPD.	
5	SEAL PLATE	PET	1	BROWN	OVER : 1.5±0.2mm						
4	CONTACT	SUS	1	Ag CLAD	TITLE : TACT SWITCH			UNIT : MM	DRWG NO.: XJ-DR-TD26EA-00		
3	COVER	SUS	1	NATURAL	MODEL: TD-26EA			SCALE: 10:1	DWN.	ZHOUYU	2005-10-27
2	CASE	NYLON 46/BRASS STRIP	1	BLACK/Ag PLATED	ALL MATERIALS MUST BE COMPLIANT TO ROHS				CHK'D	FANGYING	2005-10-27
1	KNOB	LCP	1	BLACK					APPD.	KANGXINAN	2005-10-27
NO.	PART NAME	MATERIAL	Q'TY	FINISHING							